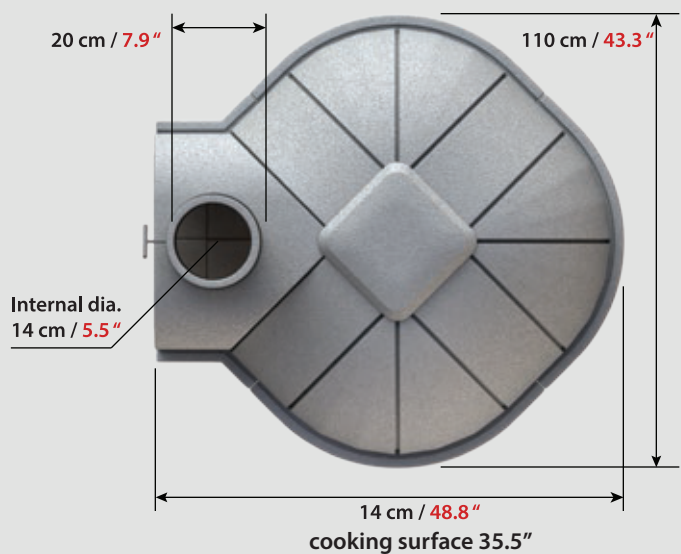
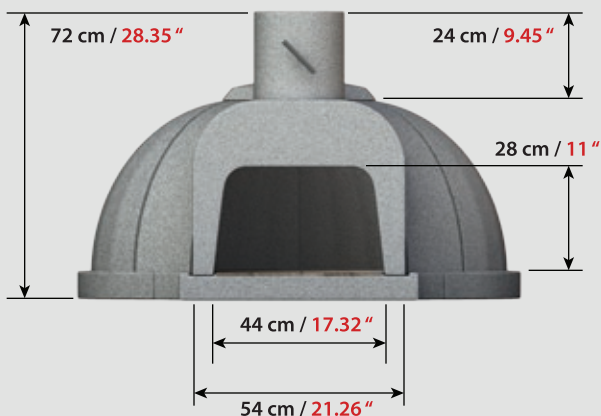


The all-new

CUORE 1000+

The perfect wood-fired oven for your home:

- Includes insulating blanket and flue damper
- Includes door and thermometer
- Larger, trapezoidal mouth for better access
- New, high performance materials
- More efficient fire chamber shape
- Larger, more efficient chimney opening
- All-clad refractory brick oven floor
- Fully steel-belted for stability and integrity
- All-modular construction
- Easier to assemble and maintain



For more information please call **Alex** at (954) 805-0050
or visit our website www.cuoreovens.com, or on Facebook www.facebook.com/cuoreovens.

CUORE
GOURMET WOOD-FIRED OVENS